

○ ISOMETRIC VIEW



Title: **PRECAST RIB SLAB SYSTEM
 ISOMETRIC VIEW**

ENGINEERING DIVISION

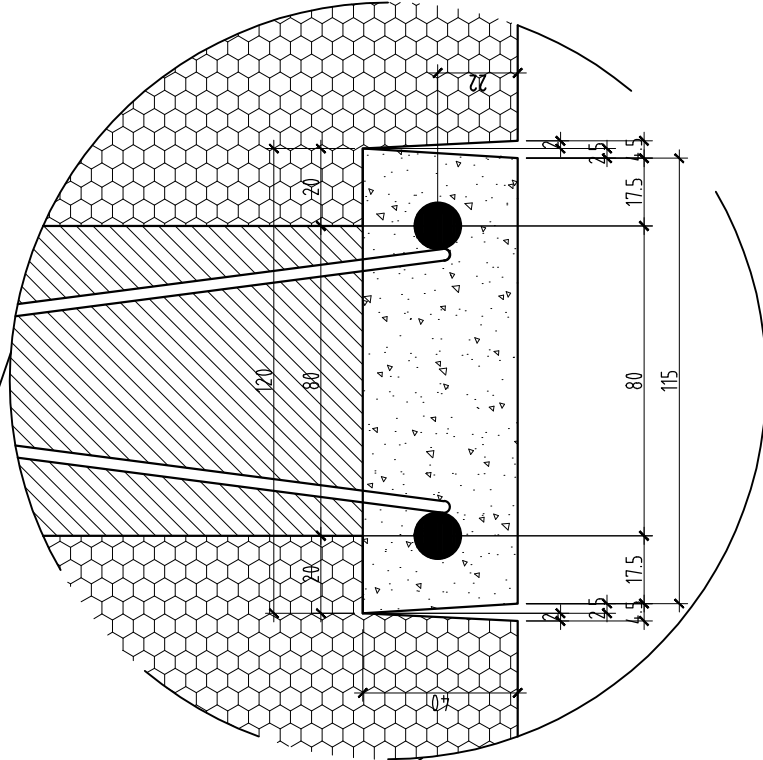
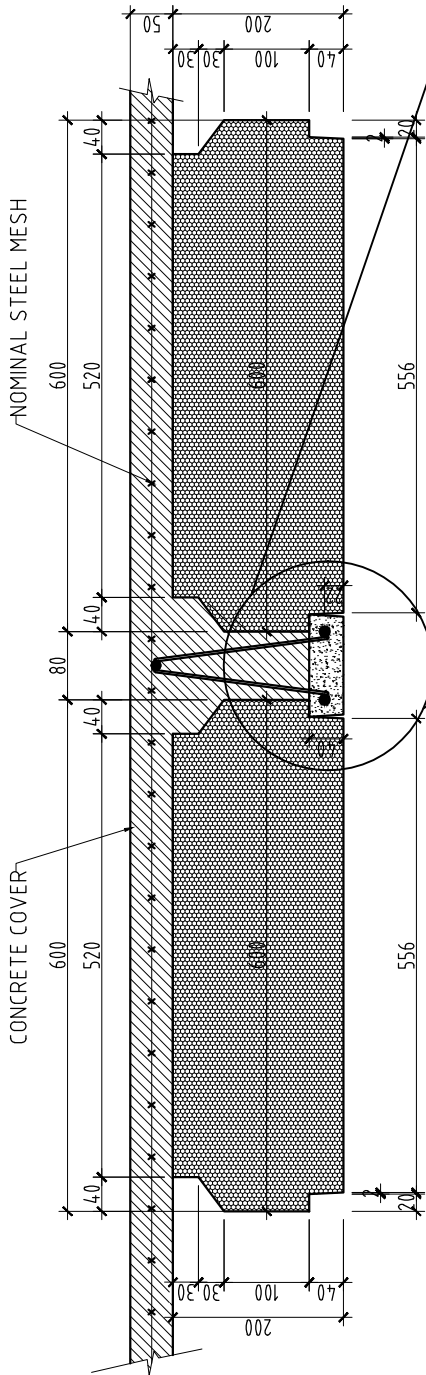
Date: DEC.2016

Scale: N.T.S

Detail No. EPRD-1

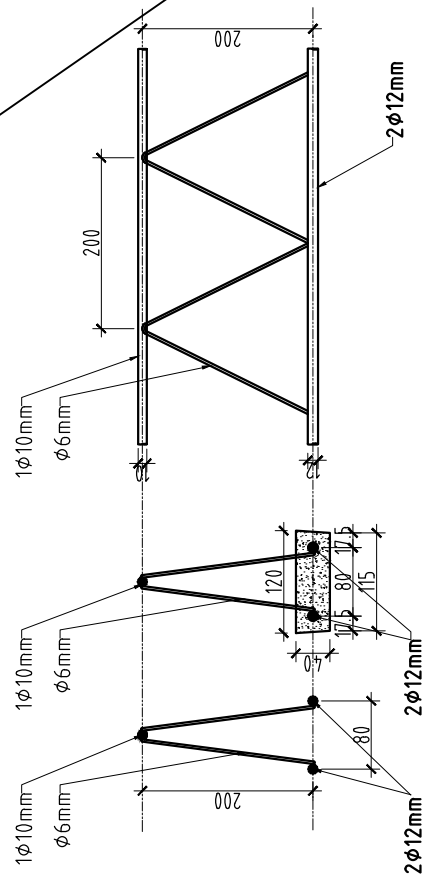
TEL No: +966 13 863 1111 FAX No: +966 13 863 2222
 2833 St. 49th (St. 67th x St. 166th) 2nd industrial City
 Dammam 34324 - 7333 Saudi Arabia

This drawing must be read in conjunction with all the ESPAC Structural Floor Panels Design Guide



blow-up

HOLLOW BLOCKS



- STEEL AS PER ASTM (A497)
- CONCRETE (35/40)

MESH DETAIL

FOR PRECAST RIB SLAB SYSTEM



Title: PRECAST RIB SLAB SYSTEM DETAIL - A

ENGINEERING DIVISION

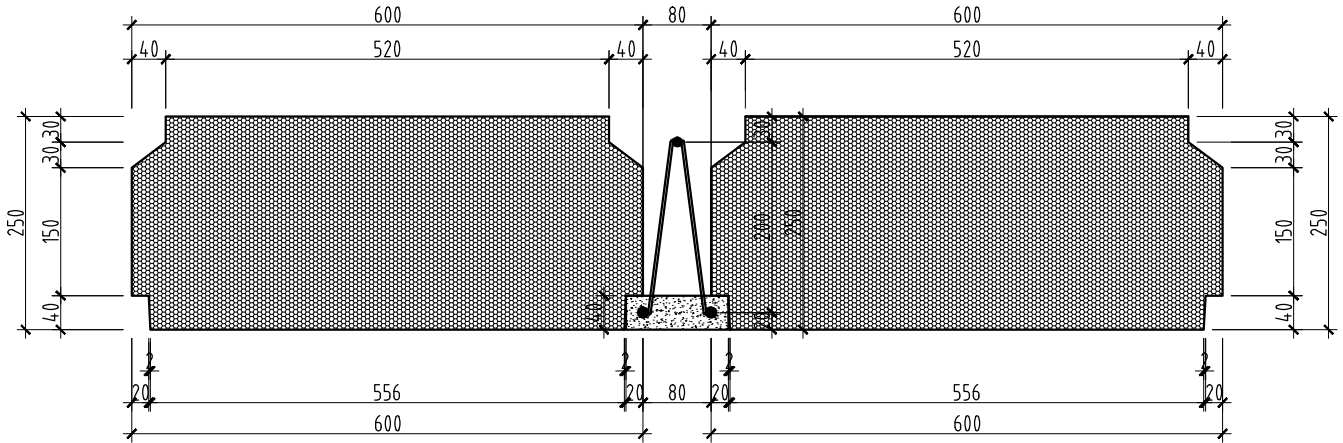
Date: DEC.2016

Scale: N.T.S

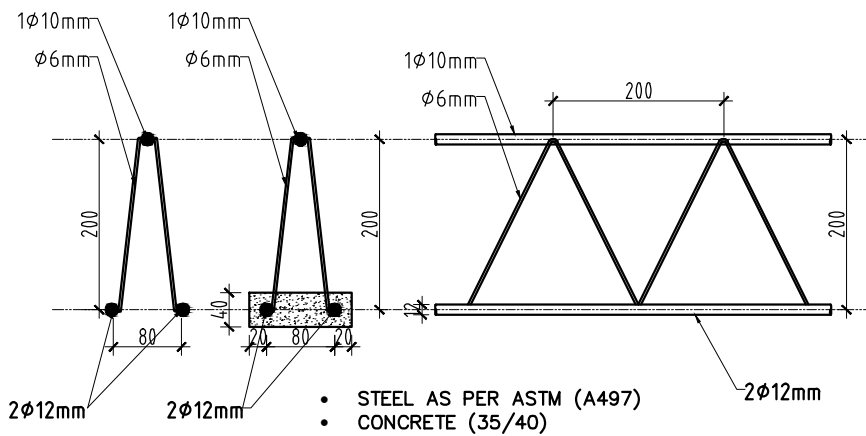
Detail No. EPRD-2

TEL No: +966 13 863 1111 FAX No: +966 13 863 2222
2833 St. 49th (St. 67th x St. 166th) 2nd industrial City
Dammam 34324 - 7333 Saudi Arabia

This drawing must be read in conjunction with all the ESPAC Structural Floor Panels Design Guide



HOLLOW BLOCKS



MESH DETAIL

FOR PRECAST RIB STAIR SYSTEM (2)



Title:

PRECAST RIB STAIR SYSTEM DETAIL - B

ENGINEERING DIVISION

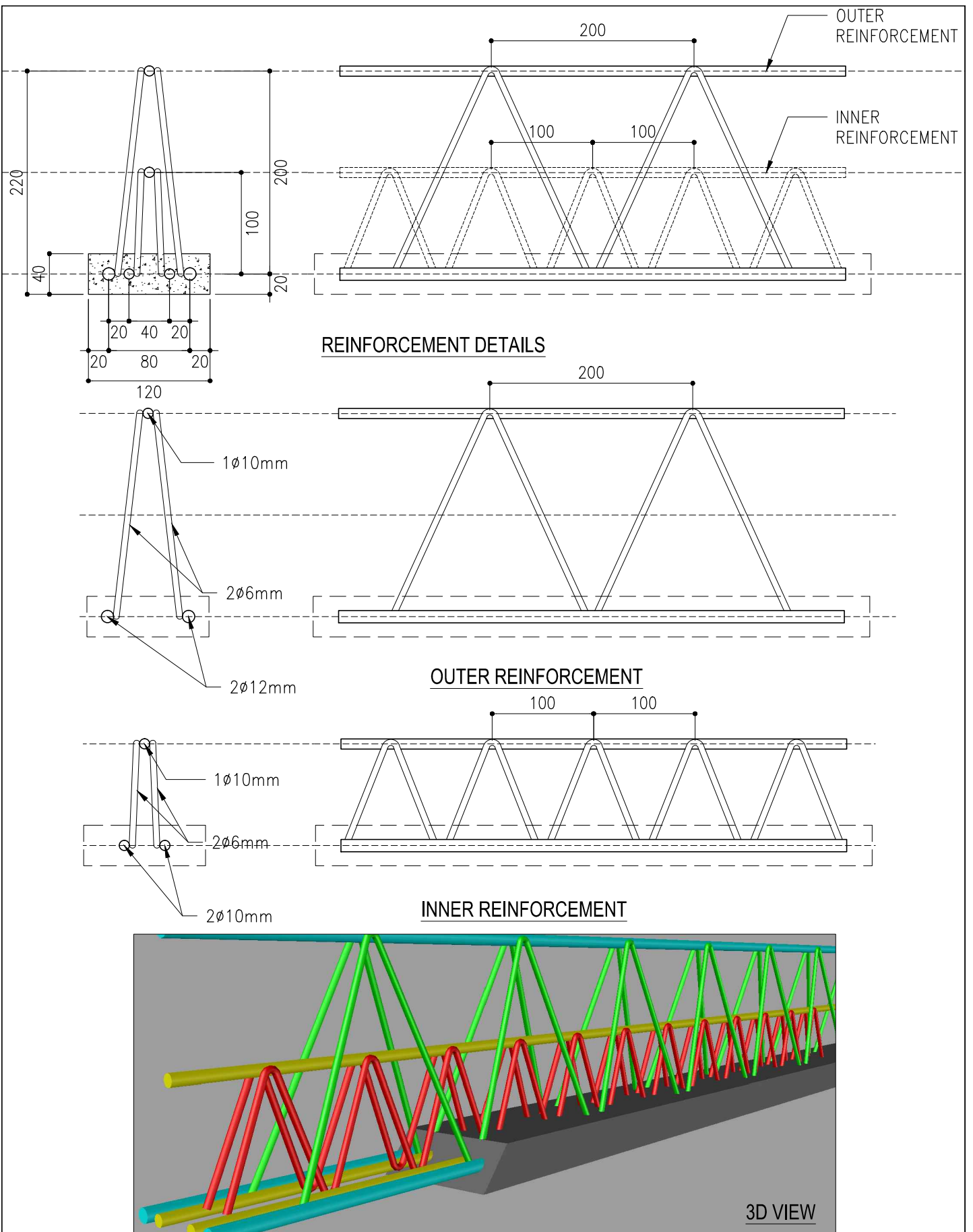
Date: DEC.2016

Scale: N.T.S

Detail No. EPRD-3

TEL No: +966 13 863 1111 FAX No: +966 13 863 2222
2833 St. 49th (St. 67th x St. 166th) 2nd industrial City
Dammam 34324 - 7333 Saudi Arabia

This drawing must be read in conjunction with all the ESPAC Structural Floor Panels Design Guide



Title: **DOUBLE REINFORCEMENT PRECAST RIB DETAILS - A**

ENGINEERING DIVISION

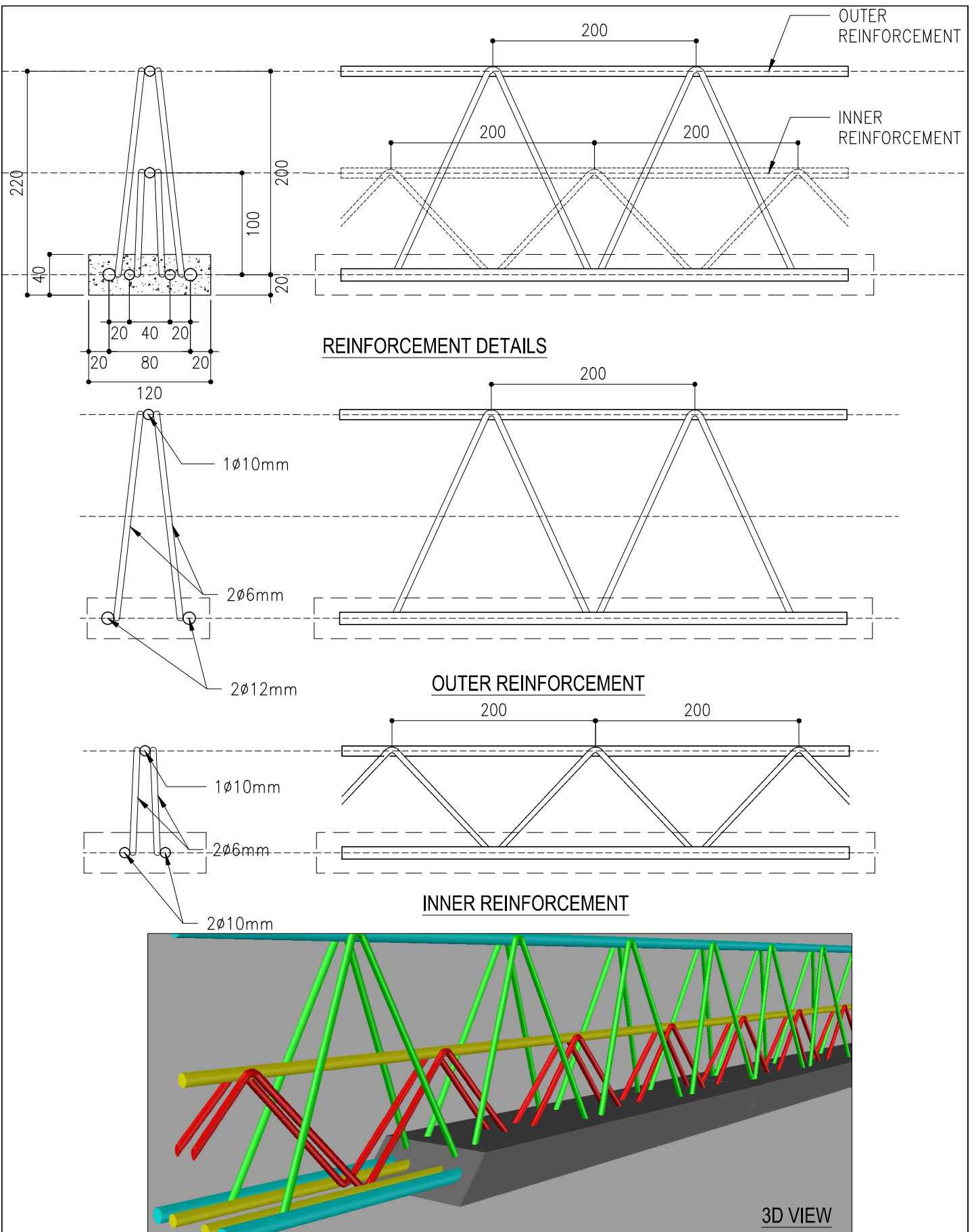
Date: DEC.2016

Scale: N.T.S

Detail No. EPRD-4

TEL No: +966 13 863 1111 FAX No: +966 13 863 2222
2833 St. 49th (St. 67th x St. 166th) 2nd industrial City
Dammam 34324 - 7333 Saudi Arabia

This drawing must be read in conjunction with all the ESPAC Structural Floor Panels Design Guide



Title: **DOUBLE REINFORCEMENT PRECAST RIB DETAILS - B**

ENGINEERING DIVISION

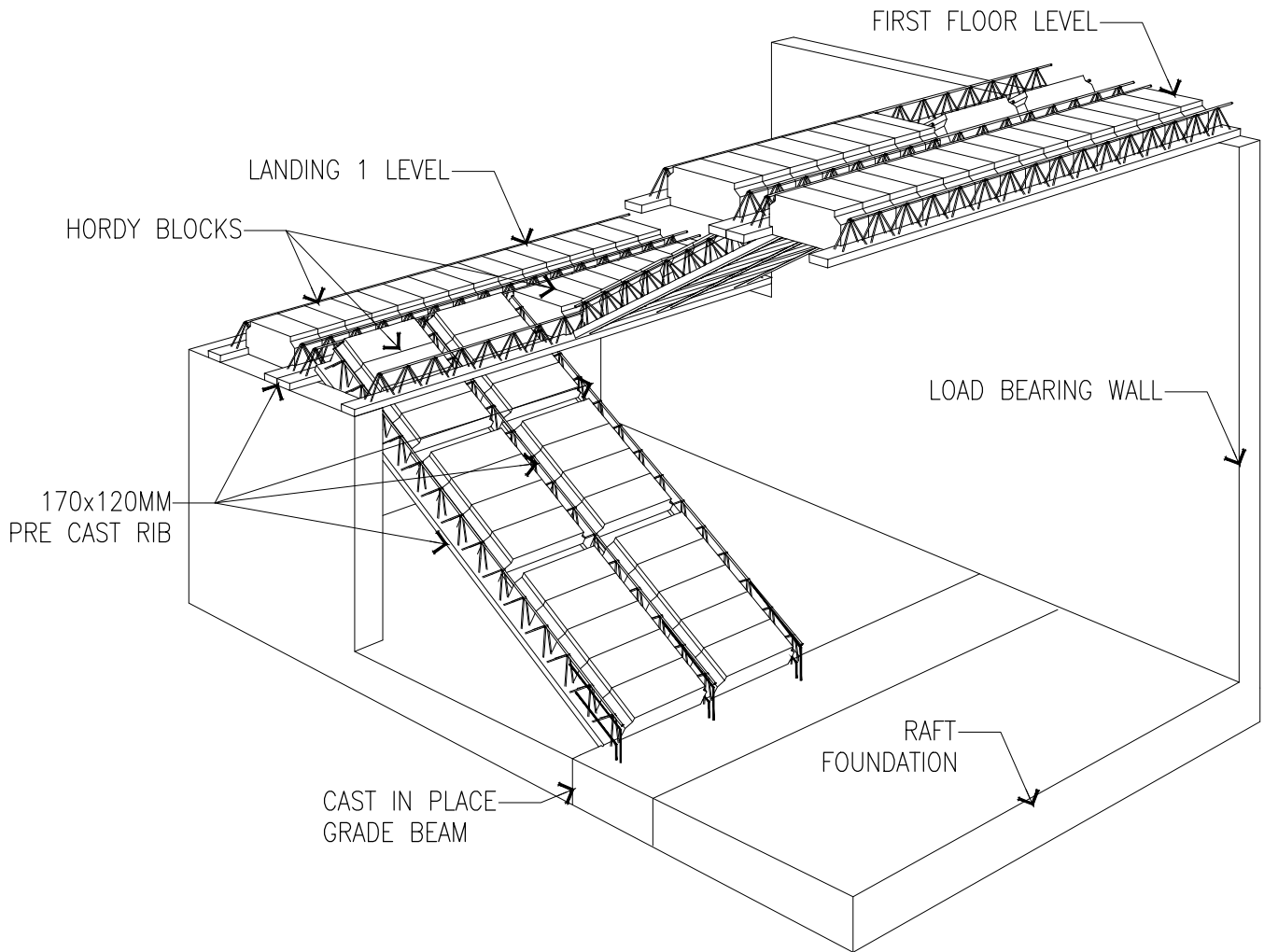
Date: DEC.2016

Scale: N.T.S

Detail No. EPRD-5

TEL No: +966 13 863 1111 FAX No: +966 13 863 2222
2833 St. 49th (St. 67th x St. 166th) 2nd industrial City
Dammam 34324 - 7333 Saudi Arabia

This drawing must be read in conjunction with all the ESPAC Structural Floor Panels Design Guide



1 STAIR ISOMETRIC VIEW
1 : 100 M



Title: **PRECAST RIB STAIRS DETAIL
(ISOMETRIC VIEW)**

ENGINEERING DIVISION

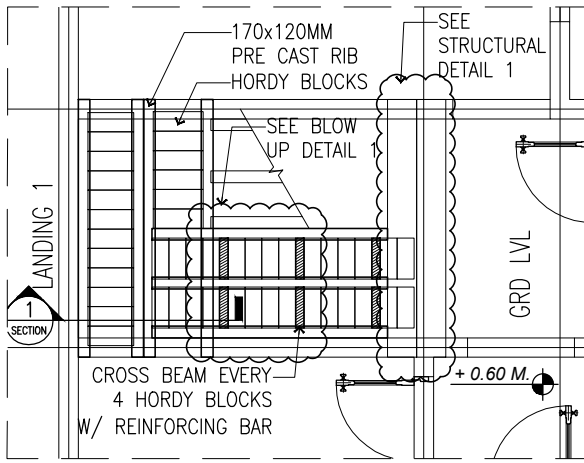
Date: **DEC.2016**

Scale: **N.T.S**

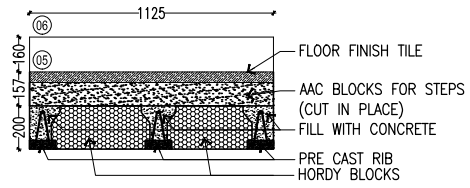
Detail No. **EPRD-7**

TEL No: +966 13 863 1111 FAX No: +966 13 863 2222
2833 St. 49th (St. 67th x St. 166th) 2nd industrial City

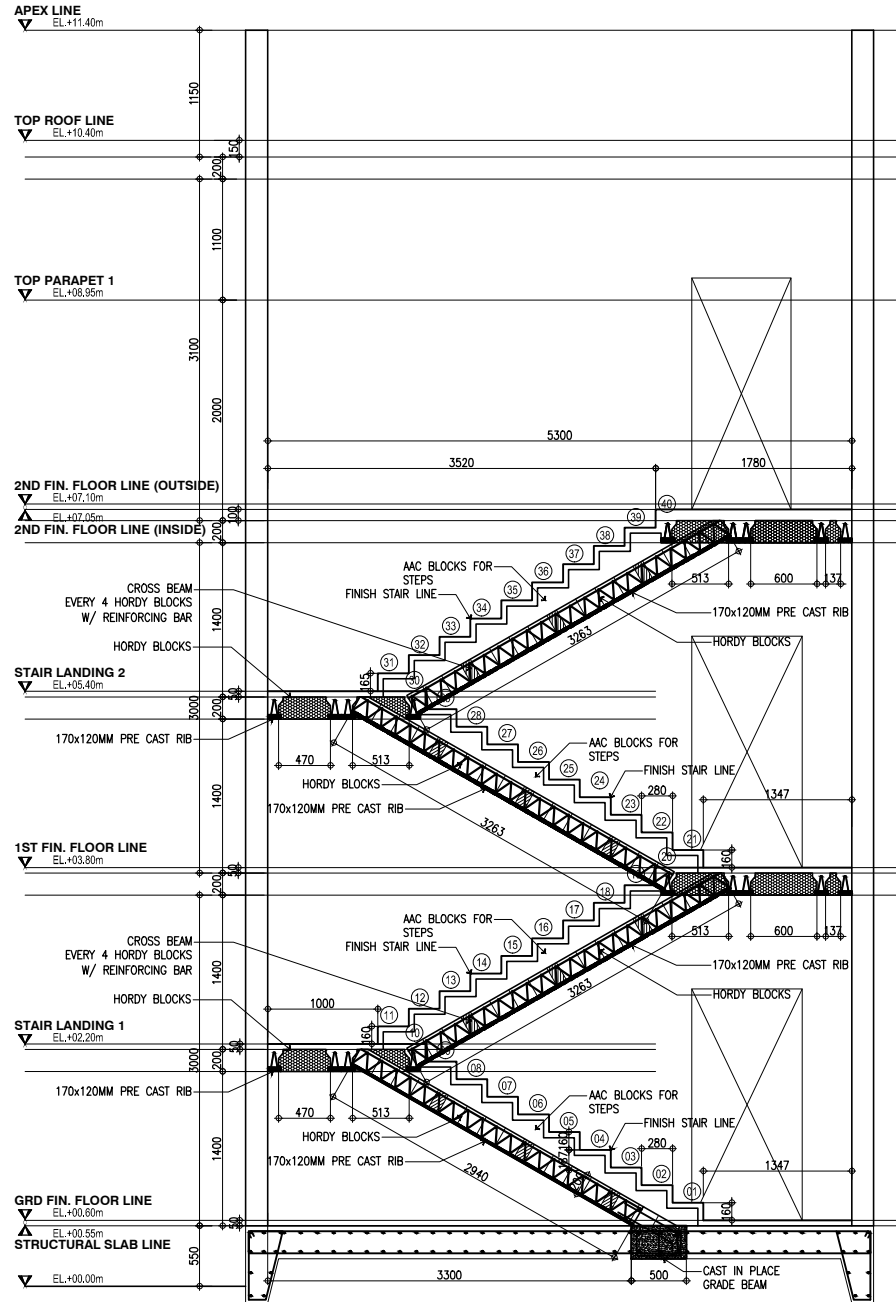
This drawing must be read in conjunction with all the ESPAC Structural Floor Panels Design Guide



1 GROUND FLOOR PRECAST RIB LAYOUT
SCALE 1 : 100 M



3 SECTION 1
SCALE 1 : 100 M



2 STAIR SECTION DETAIL
SCALE 1 : 100 M



Title:

PRECAST RIB STAIRS DETAIL

ENGINEERING DIVISION

Date: **DEC.2016**

Scale: **N.T.S**

Detail No. **EPRD-8**

TEL No: +966 13 863 1111 FAX No: +966 13 863 2222
2833 St. 49th (St. 67th x St. 166th) 2nd industrial City

This drawing must be read in conjunction with all the ESPAC Structural Floor Panels Design Guide